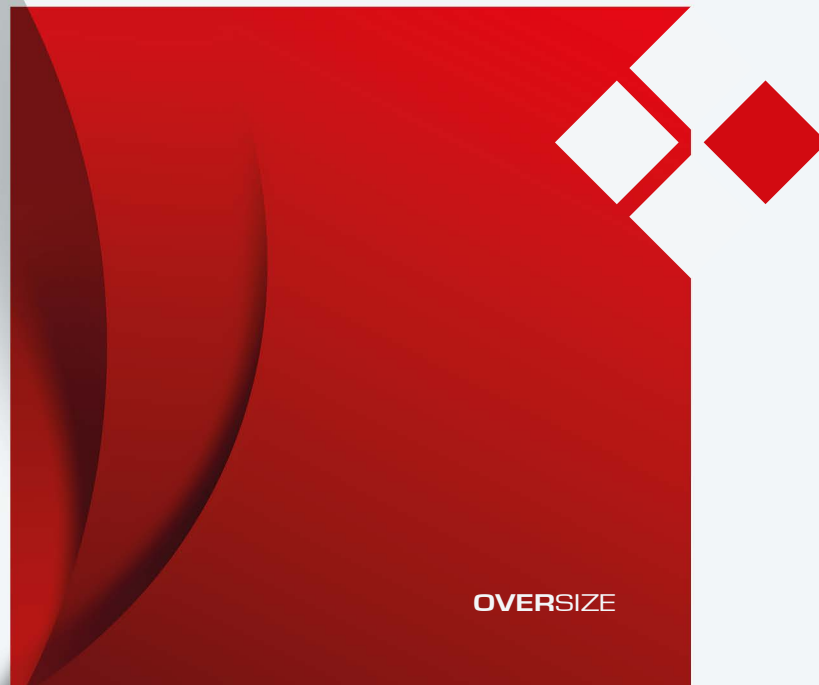




MECCANOTECNICA
BOOK FINISHING SOLUTIONS



SOLUTIONS FOR OFFSET PRINT FINISHING

***aster*BIG**
AUTOMATIC BOOK SEWING MACHINE

OVERSIZE

asterBIG

AUTOMATIC BOOK SEWING MACHINE

THE SOLUTION
FOR OVERSIZE BOOKS



asterBIG is Meccanotecnica's book sewing unit for oversize books. It handles a wide range of signature sizes and paper types. Its extreme versatility allows binders to produce various kinds of books, from small notebooks (150x120mm) to large-sized artbooks (520x440mm).

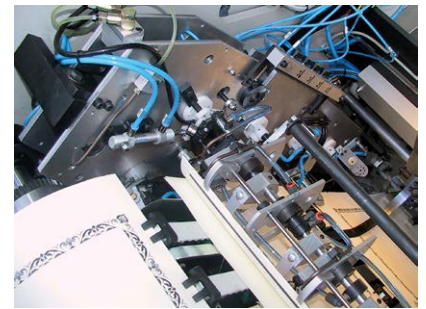
This fully-automatic machine is ideally suited for cost-effective production of high quality and valuable products.



A double infeed gripper of new design makes it easier to extract large size signatures, even when using lightweight paper. Four new belts at the infeed guarantee smoother transport of oversize signatures.



The loading area is easily accessible and features a large-capacity hopper that allows comfortable loading with both hands. Thanks to its compact size, asterBIG is comfortably operated by just one person.



asterBIG features an opening head with 3 top and 3 bottom vacuum suckers and a built-in lap opener. For maximum versatility, the feeder is equipped upon request with the Rotating Lap Opener, which allows reliable handling of large signatures.

asterBIG offers a wide range of optional features to accommodate every customer's need. The unit is here presented with the optional "manual loading station", which allows the careful handling of books that requires extra attention.



An auto size change device automatically adjusts the opening head, the transport on saddle and the unloading table according to signature size.



An integrated frame houses a new 17" swivel colour monitor. The control panel complemented by a new interface, makes the programming easier and more straightforward.

A "remote service" option has been added to the new Siemens PC.

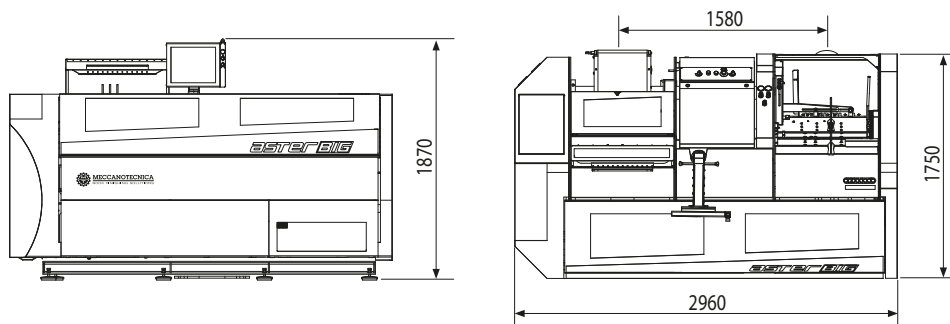
A new application for scheduled maintenance has been implemented too, moreover, detailed videos have been added in order to explain and facilitate maintenance operations.

asterBIG

AUTOMATIC BOOK SEWING MACHINE

TECHNICAL DATA

Max. mechanical speed	7.200 cycles/h
Min. size	150 x 120 mm (6" x 4 ¾")
Max. size	520 x 440 mm (20 ½" x 17 ⅓")
Available openings	3 above, 3 below + lap
Number of stitch positions	12
Stitch length	19 mm (¾")
Rated power	8,65 kW
Standard voltage	400V, 50Hz, 3 phases
Air consumption (external supply)	max. 500 l/min at 7 bar
Net weight	4200 kg



CE asterBIG bears CE safety mark.

